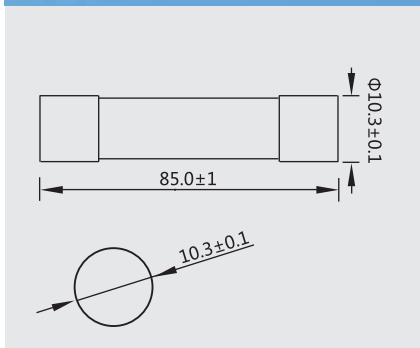


PHVL $\Phi 10 \times 85$ Photovoltaic Fuse



10x85光伏熔断器 10x85 Solar Photovoltaic Fuse

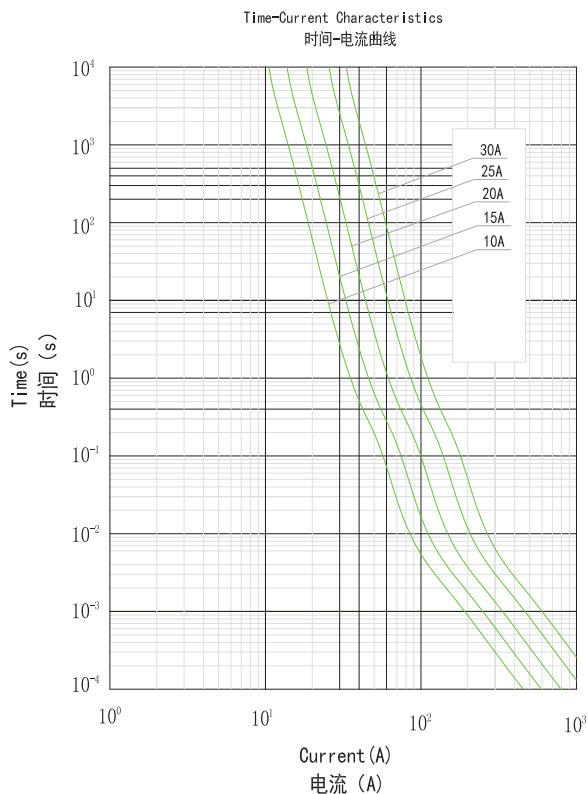


测试标准:
Testing Standard:
IEC60269-6 GB13539.6

额定分断能力:
Interrupting Rating:
25KA at 1500VDC

工作温度:
Operating Temperature:
-55°C ~ +125°C

材料:
Materials:
Tube: Ceramic Tube
Element: Silver
Filler: Silica Sand
Cap: Tin plated copper



电气特性: Electrical Characteristics

额定电流的% % of Ampere Rating	熔断时间 Opening Time
113%	1Hours Min.
145%	1Hours Max.

目录编号:

目录编号 Catalog No.	额定电流 Ampere Rating	额定电压 Voltage Rating	熔化热能 ² T Melting Integral (A ² .S)		功耗 POWER Loss	认证 Approvals
			Pre-Acting at	Total at 1500VDC		
PHVL-2A	2A	1500VDC	3.4	10	3	○
PHVL-4A	4A	1500VDC	15	50	3.3	○
PHVL-5A	5A	1500VDC	22	75	3.5	○
PHVL-6A	6A	1500VDC	30	80	3.8	○
PHVL-8A	8A	1500VDC	42	85	4.0	○
PHVL-10A	10A	1500VDC	50	90	4.1	●
PHVL-12A	12A	1500VDC	50	90	4.1	○
PHVL-15A	15A	1500VDC	65	140	5.0	●
PHVL-20A	20A	1500VDC	110	290	5.5	●
PHVL-25A	25A	1500VDC	200	500	6.2	●
PHVL-30A	30A	1500VDC	1500	2000	7.6	●